

FRAME MANHOLE AS 3996 CLASS B

COVER MANHOLE AS 3996 CLASS B

COVER MANHOLE
AS3996 CLASS B
PMXAC00600TLUGTRAF

S/S HB M10 x 30

FRAME MANHOLE
AS 3996 CLASS B
OMXAC00600TLVGTRAF

S/S HNP M10

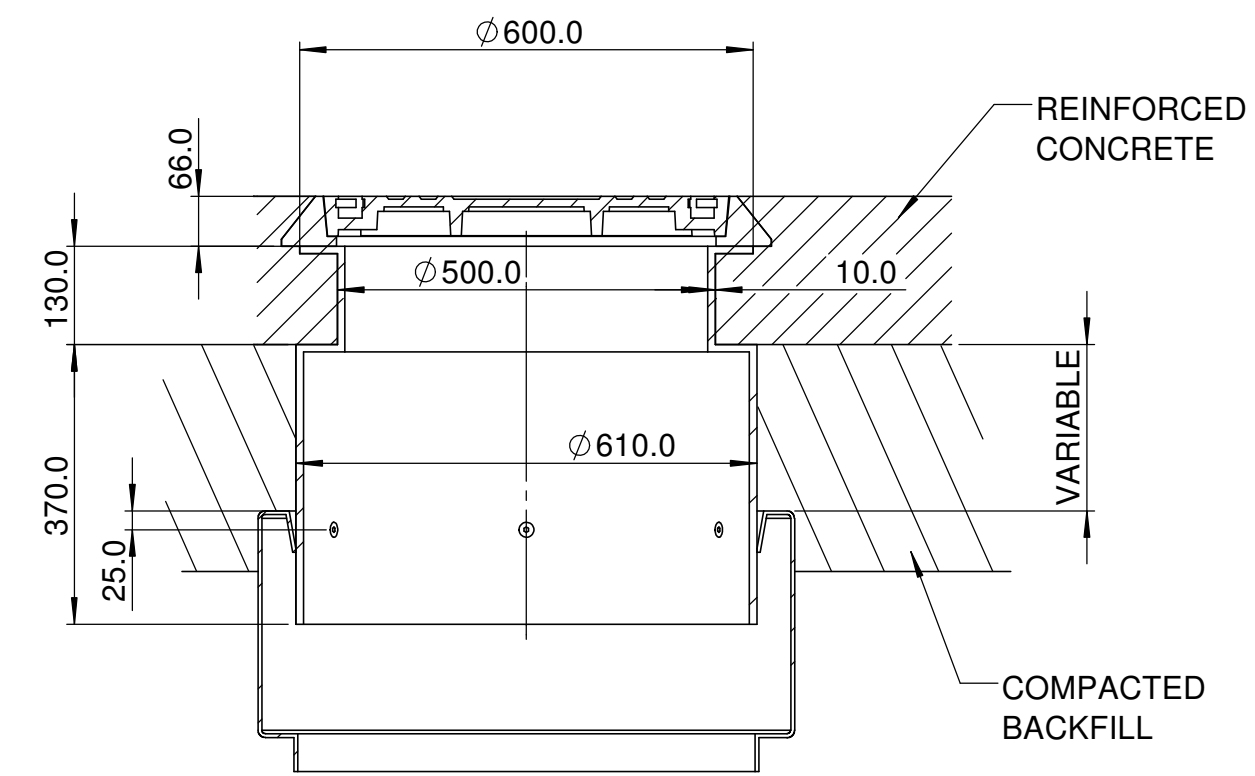
PMXUT000300ATR

6 OFF EQUI SPACED
S/S CSCS M10 x 70

S/S HNP M10

PMXUT000300R

MHRIA10D0010
1 OFF REQUIRED



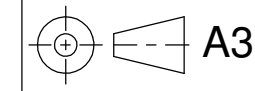
SECTION A-A

© COPYRIGHT

MATERIAL : SEE PARTS
STOCK SIZE :
MACHINING :
FINISH : SEE PARTS
HEAT TREATMENT :

PART/ASSY MODEL :-
NAME : MHRIA10D00
CONFIGURATION : 10
CONFIG REVISION : C

ORIG. SCALE : 1:10



DESCRIPTION	REV.	DATE
ADDED MORE PARTS	B	22/03/2016
ADDED PROMAX CODES	C	22/03/2016
ORIGINAL ISSUE	A	18 MAR 2016
REMARKS	ISS	DATE

DESIGNER
DETAIL UNDERGROUND TANKS
ADJUSTABLE TRAFFICABLE RISER
PROJECT MANHOLE

PROMAX ENGINEERED PLASTICS

389 Waipara Rd
Kerikeri 0295
Bay of Island
Phone (09) 407 3575
Free Phone 0800 776629

DRG#_TITLE. MHRIA10D0010 SHT 1 OF 1