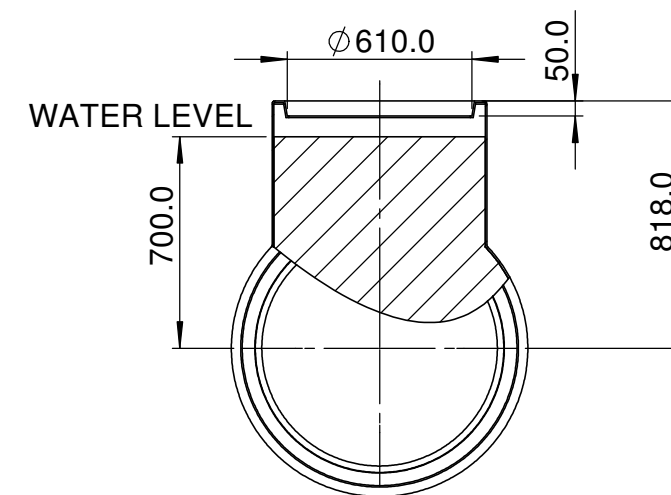
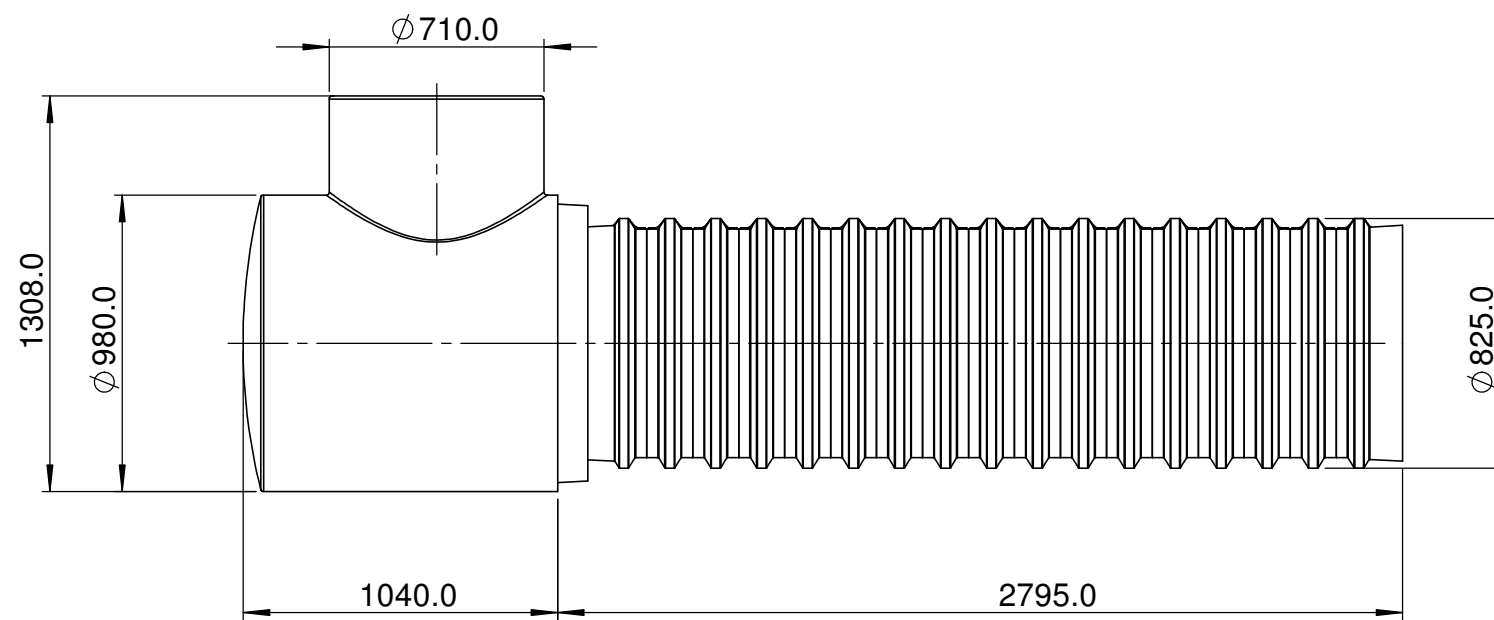
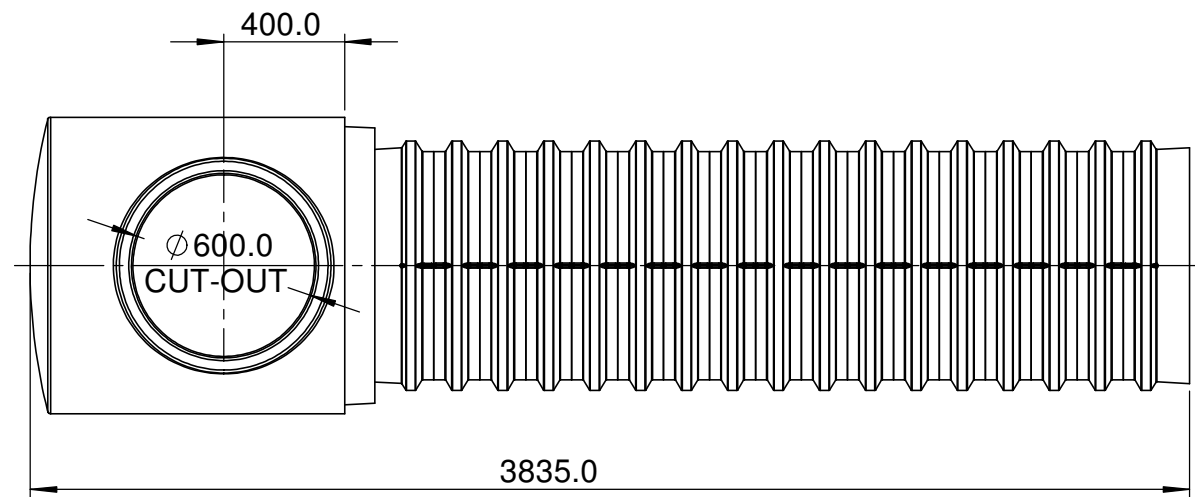
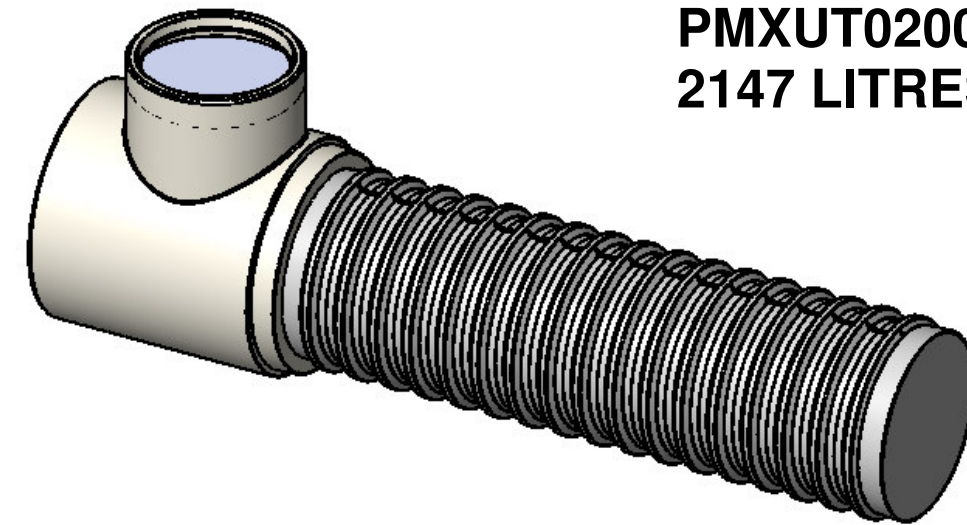


**UNDERGROUND TANK
PMXUT02000.75
2147 LITRES**



VOLUME = 2147 LITRES

© COPYRIGHT

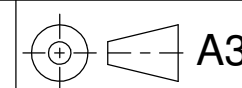
UNLESS SHOWN OTHERWISE:-
DIMENSIONS:- mm
HOLE POSITION TOLERANCES:- $\pm \phi 0.2$
TOLERANCES:-
ISO 2768-1 TABLE 1-M 9 (MEDIUM)

0 - 6	±0.1
6 - 30	±0.2
30 - 120	±0.3
120 - 400	±0.5
400 - 1000	±0.8
1000 - 2000	±1.2
2000 - 4000	±2.0

MATERIAL : SEE PARTS
STOCK SIZE :
MACHINING :
FINISH : SEE PARTS
HEAT TREATMENT :

PART/ASSY MODEL :-
NAME : PMXUT02000.75
CONFIGURATION : 10
CONFIG REVISION : A

ORIG. SCALE
1:30



DESCRIPTION	REV.	DATE
ORIGINAL ISSUE	A	10 AUG 2016
REMARKS	ISS	DATE
DESIGNER	10/08/2016	PROMAX ENGINEERED PLASTICS ROTATIONAL MOULDERS 389 Waipara Rd Kerikeri 0295 Bay of Island Phone (09) 407 3575 Free Phone 0800 776629
DETAIL	GA FOR PMXUT2000.75	
PROJECT	U-TANK 750	
DRG#_TITLE.	PMXUT02000.75	REV A SHT 1 OF 1