

# Spray Tanks Specification Sheet



PTSP00600KFG

## 600 Litre Pin Mount Spray Tank with Galvanised Steel Frame

### Unit Specifications

Item	Description	Details
Tank	600 litre	Manufactured from UV stabilised polyethylene specifically formulated for chemical spray tanks. Complies with AS2070:1999 & AS4766:4006. Integral fully draining sump. 10 year guarantee.
Lid	255mm	Ø255mm threaded lid assembly with fixed labyrinth breather valve
Filter	Basket Filter	Ø210mm x 235mm deep with 18 mesh screen
Tank outlet	1 1/2" MBSP	Flanged polypropylene tank outlet fitting complete with nut and washer
Dimensions	PTSP00600FG (Tank Only)	1190mm(L) x 1050mm(W) x 850mm(H)
	PTSP00600KFG (Tank and Frame)	1190mm(L) x 1050mm(W) x 890mm(H)
Dry weight	PTSP00600FG	33kgs
	PTSP00600KFG	50kgs
Colour		Faint green
Load rating		1.3 Specific Gravity (SG)
Mounting	Galvanised steel mounting frame & pins 4 x 18 x 200mm	Hot dipped galvanised steel mounting frame and pins for correct tank support and to give sump clearance for access

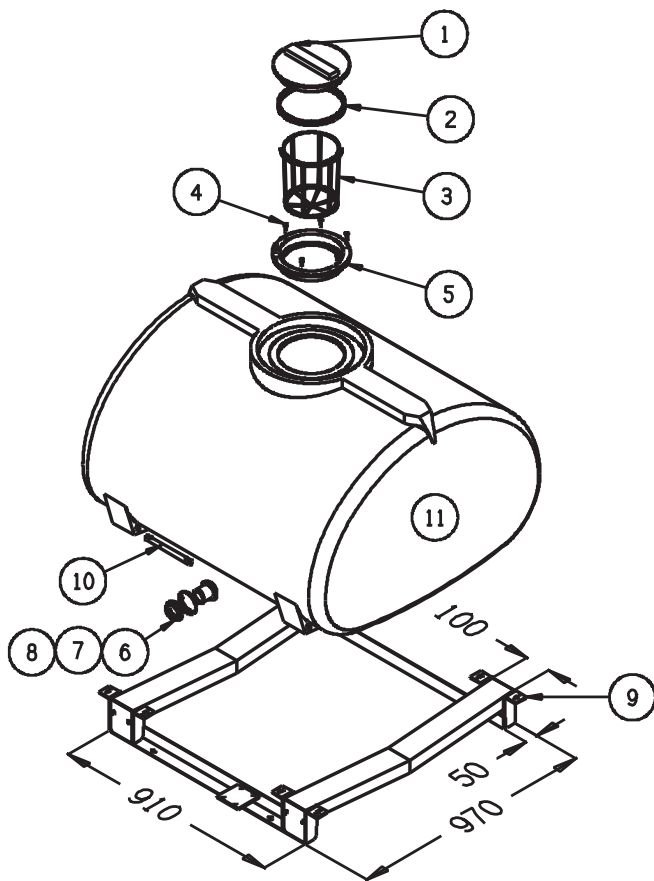
1

# Spray Tanks Specification Sheet

## Features

- Integral fully draining sump
- The positive draining tank base with centred sump provides flooded suction regardless of terrain
- Unconditional guarantee against rust
- Extraordinary impact resistance
- Impressive range of "flex" to cope with movement and twisting in tough operating conditions
- Impervious to most chemicals
- Easy to read calibrations for measurement of contents
- Australian made for Australian conditions
- 10 year guarantee – buy with confidence!

## Dimensional Drawing – PTSP00600FG / PTSP00600KFG



Cutaway shows full drain sump



End view shows sump clearance



Outside view of Pin



Cutaway of Pin

**OVERALL DIMENSIONS** 1190(L) x 1050(W) x 890(H)

2

ITEM	CODE	Description
1,2,5	ARLP250USR	Ø255 Lid Assembly Complete
3	ARK200	Ø255 Basket Filter
4		Stainless Steel Screws
6,7,8	ARFP038	1 1/2" MBSP Fitting-Poly
9		Skid Frame Only
10	ARPO01	4 Pins 18x200
11	PTSP00600FG	600L LP Tank - Bare

## Optional Tank Colours

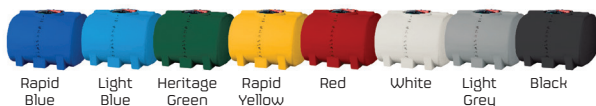
### Standard

### Translucent



- Optional colours will incur a surcharge of 5%
- If water is being stored in tank we recommend using opaque colours to prevent algae growth

### Opaque



\*Tanks not mounted in accordance with our specifications may void warranty

## Optional Small Ball Baffle

– ARB195 Ø195MM

Displaces 150ml and weighs 120g. Recommended use quantity 1 ball baffle per 7L of tank capacity

