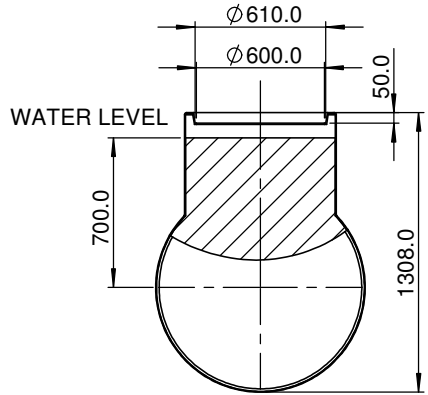
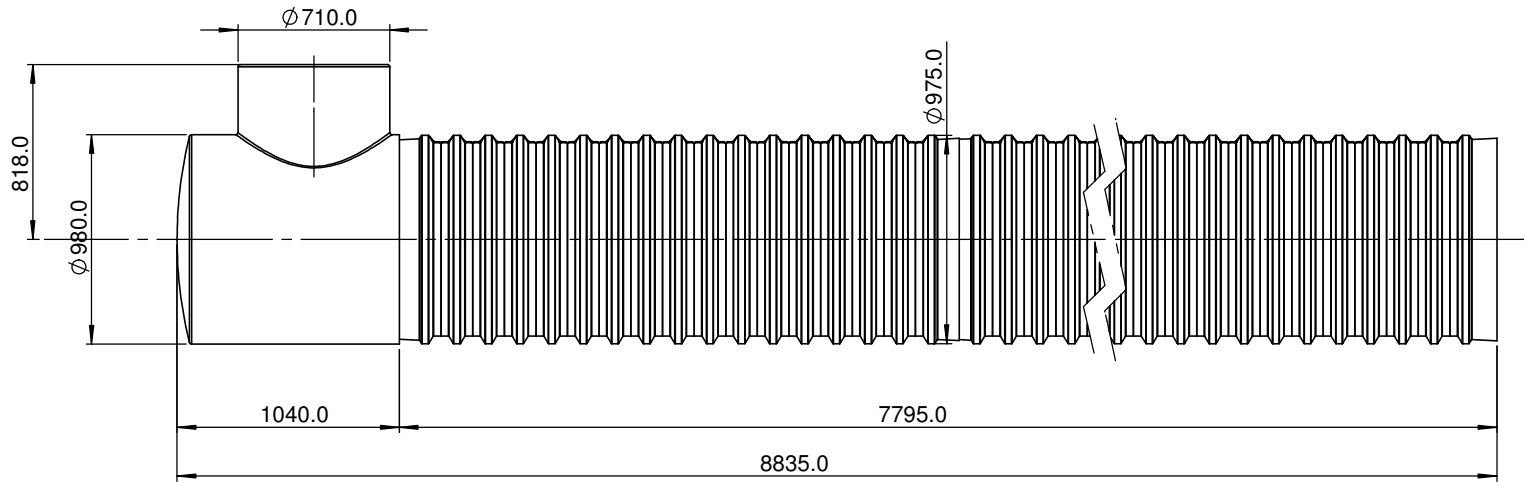
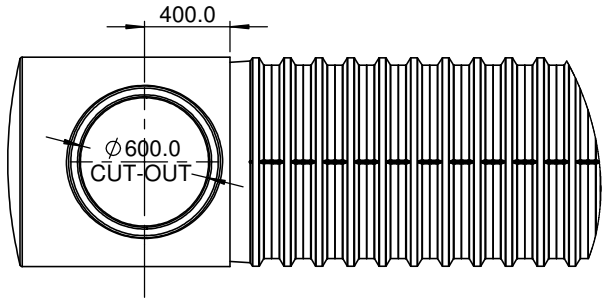


**UNDERGROUND TANK  
PMXUT06000.9  
6012 LITRES**



VOLUME = 6012 LITRES

© COPYRIGHT

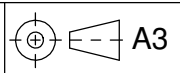
UNLESS SHOWN OTHERWISE:-  
DIMENSIONS:- mm  
HOLE POSITION TOLERANCES:-  $\pm \phi 0.2$   
TOLERANCES:-  
ISO 2768-1 TABLE 1-M 9 (MEDIUM)

0 - 6	±0.1
6 - 30	±0.2
30 - 120	±0.3
120 - 400	±0.5
400 - 1000	±0.8
1000 - 2000	±1.2
2000 - 4000	±2.0

MATERIAL : SEE PARTS  
STOCK SIZE :  
MACHINING :  
FINISH : SEE PARTS  
HEAT TREATMENT :

PART/ASSY MODEL :-  
NAME : PMXUT06000.9  
CONFIGURATION : 10  
CONFIG REVISION : A

ORIG. SCALE  
1:30



DESCRIPTION	REV.	DATE
ORIGINAL ISSUE	A	16 AUG 2016
REMARKS	ISS	DATE

DESIGNER	16/08/2016
DETAIL	GA FOR PMXUT6000.9
PROJECT	U-TANK 900
DRG#_TITLE.	PMXUT06000.9

**PROMAX ENGINEERED PLASTICS**  
ROTATIONAL MOULDERS

389 Waipara Rd  
Kerikeri 0295  
Bay of Island

Phone (09) 407 3575  
Free Phone 0800 776629

REV	A	SHT 1 OF 1
-----	---	------------