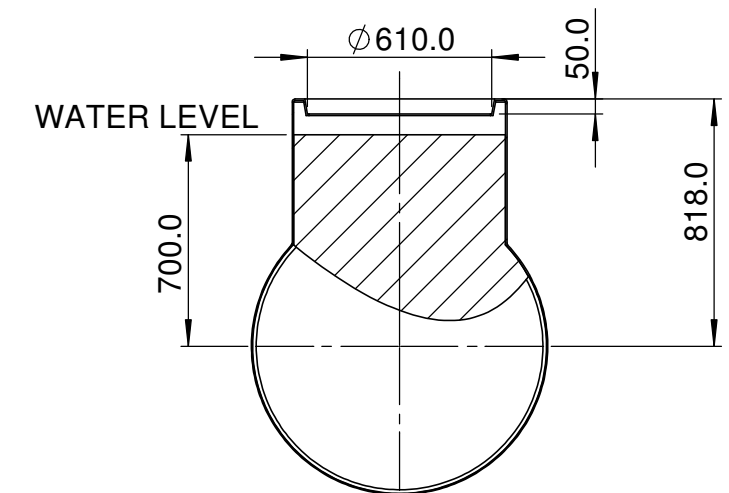
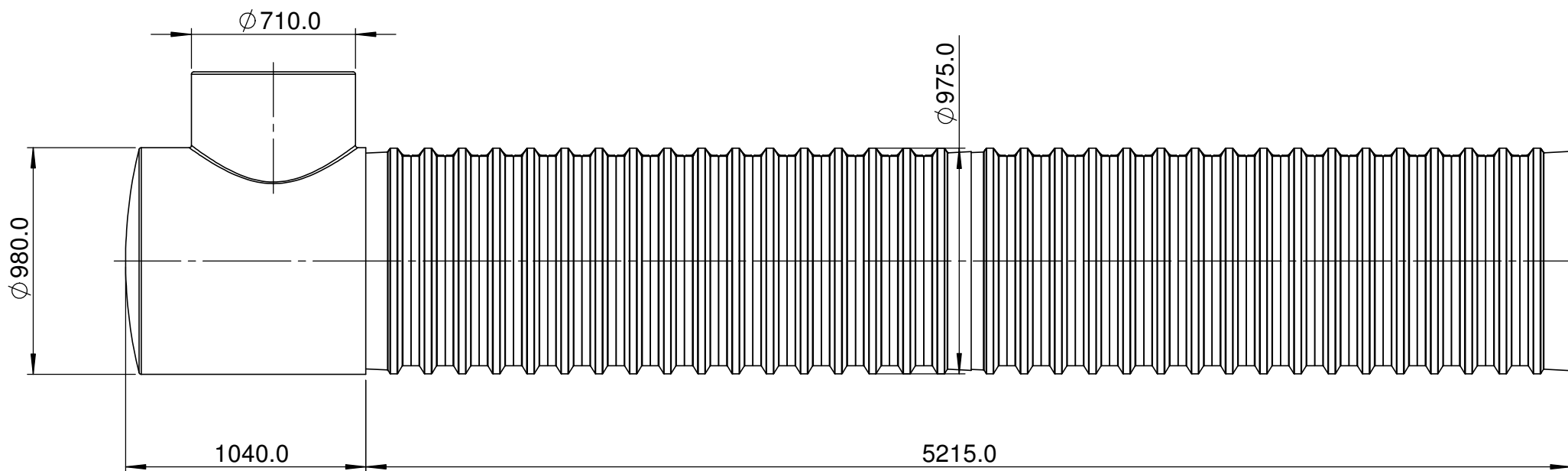
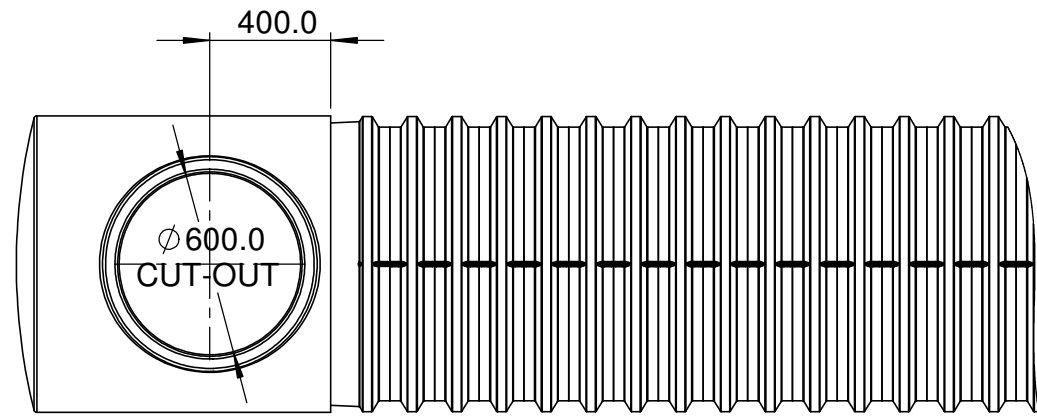
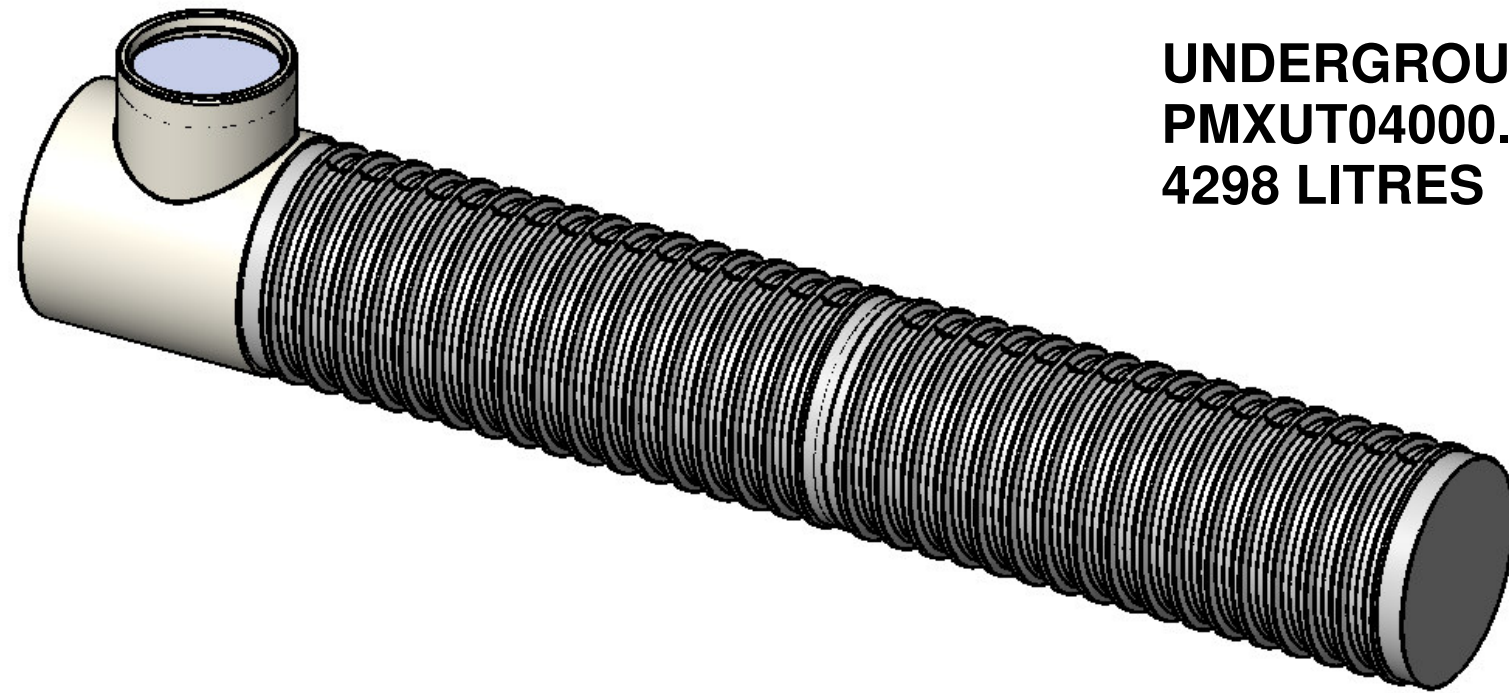


**UNDERGROUND TANK  
PMXUT04000.9  
4298 LITRES**



VOLUME = 4298 LITRES

© COPYRIGHT

UNLESS SHOWN OTHERWISE:-  
DIMENSIONS:- mm  
HOLE POSITION TOLERANCES:-  $\pm \phi 0.2$   
TOLERANCES:-  
ISO 2768-1 TABLE 1-M 9 (MEDIUM)

0 - 6	±0.1
6 - 30	±0.2
30 - 120	±0.3
120 - 400	±0.5
400 - 1000	±0.8
1000 - 2000	±1.2
2000 - 4000	±2.0

MATERIAL : SEE PARTS  
STOCK SIZE :  
MACHINING :  
FINISH : SEE PARTS  
HEAT TREATMENT :  
  
PART/ASSY MODEL :-  
NAME : PMXUT04000.9  
CONFIGURATION : 10  
CONFIG REVISION : A

ORIG. SCALE 1:30		DESCRIPTION ORIGINAL ISSUE	REV. A	DATE 05 AUG 2016
DESIGNER	05/08/2016	REMARKS	ISS	DATE
DETAIL	GA FOR PMXUT04000.9	<b>PROMAX ENGINEERED PLASTICS</b> ROTATIONAL MOULDERS 389 Waipara Rd Kerikeri 0295 Bay of Island Phone (09) 407 3575 Free Phone 0800 776629		
PROJECT	U-TANK 900			
DRG#_TITLE.	PMXUT04000.9	REV	A	SHT 1 OF 1