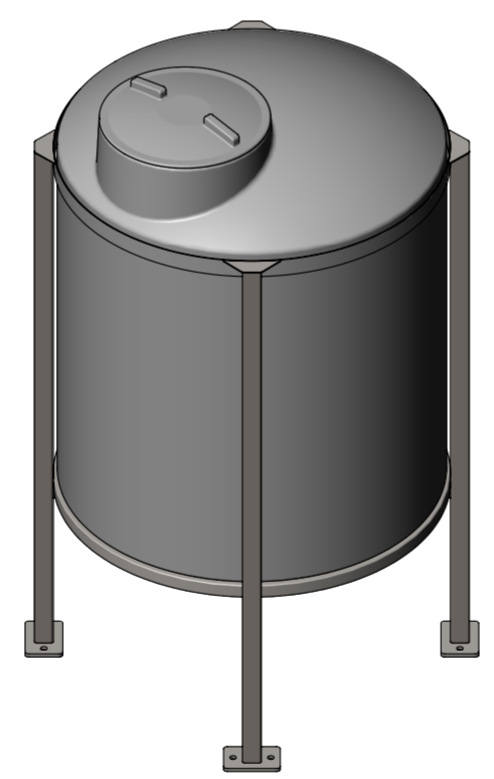
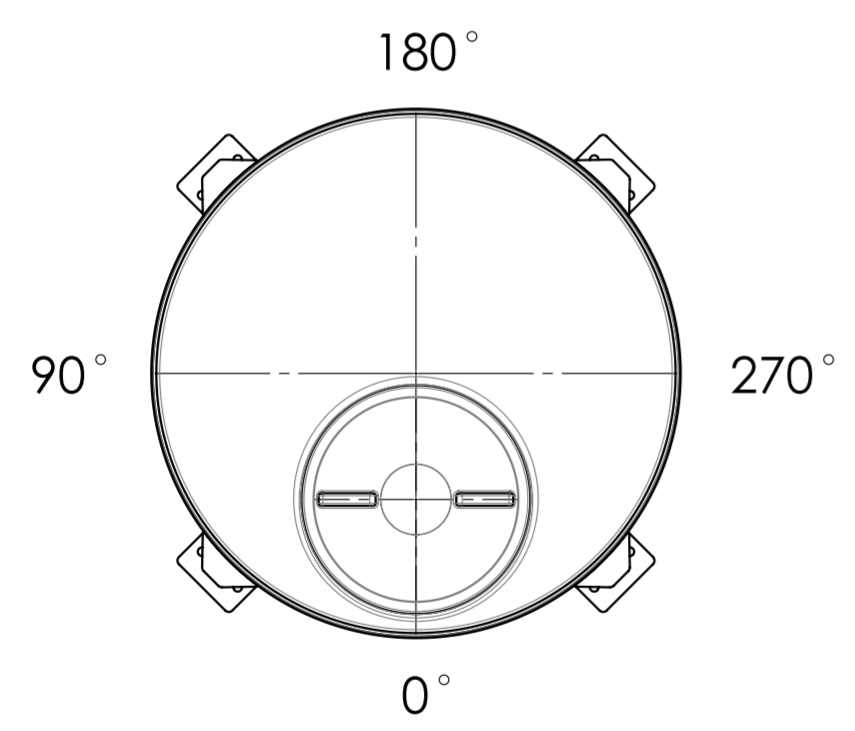
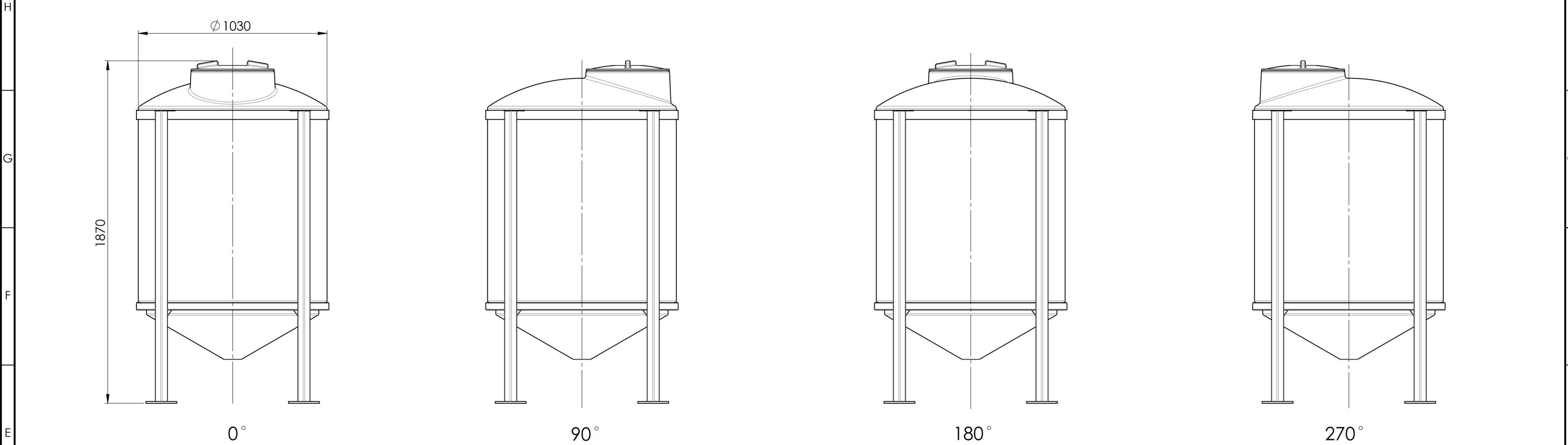


Job Customer:

Title:

Ref:



FITTINGS LAYOUT TABLE				
NOZZLE No	PE SIZE	LEVEL MARK	ANGLE	DESCRIPTION
N1				
N2				
N3				
N4				
N5				
N6				
N7				
N8				

NOTES:  
1. LEVEL MARKS ARE IN m, DIMENSIONS ARE IN mm.

DATE	CLIENT APPROVAL SIGNATURE	UNLESS OTHERWISE SPECIFIED: DIMENSIONS ARE IN MILLIMETERS SURFACE FINISH: TOLERANCES: LINEAR: ANGULAR:	FINISH:	DEBURR AND BREAK SHARP EDGES	DO NOT SCALE DRAWING	REVISION
DRAWN CHK'D APPV'D MFG Q.A.					TITLE: 1000L CONE BASE TANK NOZZLES LAYOUT	
					DWG NO.	
					MATERIAL:	
					WEIGHT:	
					SCALE: 1:15	
SHEET 1 OF 1						