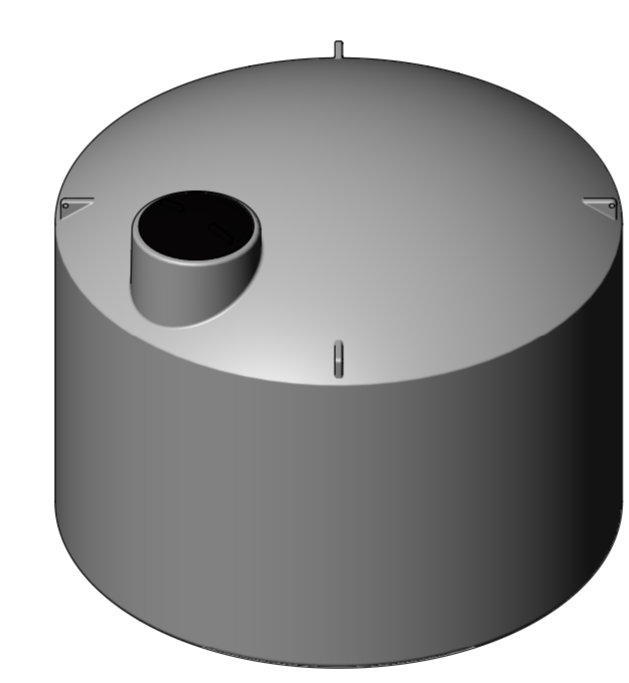
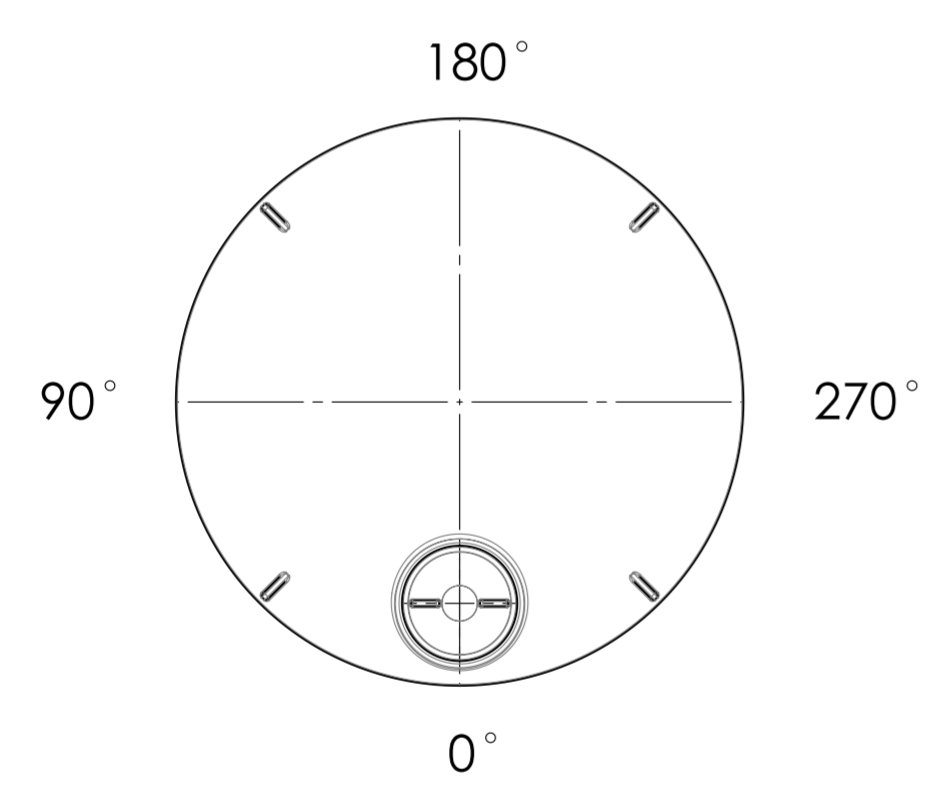
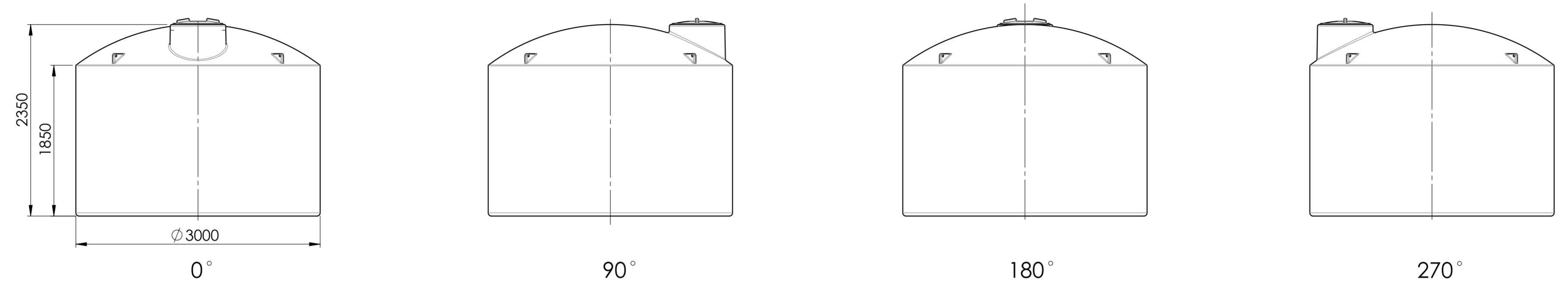


Job Customer:

Title:

Ref:



FITTINGS LAYOUT TABLE			
NOZZLE No	PE SIZE	ANGLE	DESCRIPTION
N1			
N2			
N3			
N4			
N5			
N6			
N7			
N8			

NOTES:

1. LEVEL MARKS ARE IN m, DIMENSIONS ARE IN mm.

DATE	CLIENT APPROVAL SIGNATURE	UNLESS OTHERWISE SPECIFIED: DIMENSIONS ARE IN MILLIMETERS SURFACE FINISH: TOLERANCES: LINEAR: ANGULAR:	FINISH:	DEBURR AND BREAK SHARP EDGES	DO NOT SCALE DRAWING	REVISION
		DRAWN	NAME	SIGNATURE	DATE	TITLE: 15000L XPRESS TANK SOUTH ISLAND NOZZLES LAYOUT
		CHK'D				DWG NO.
		APPV'D				A2
		MFG				
		Q.A.				
				MATERIAL:		
				WEIGHT:		
					SCALE:1:40	SHEET 1 OF 1