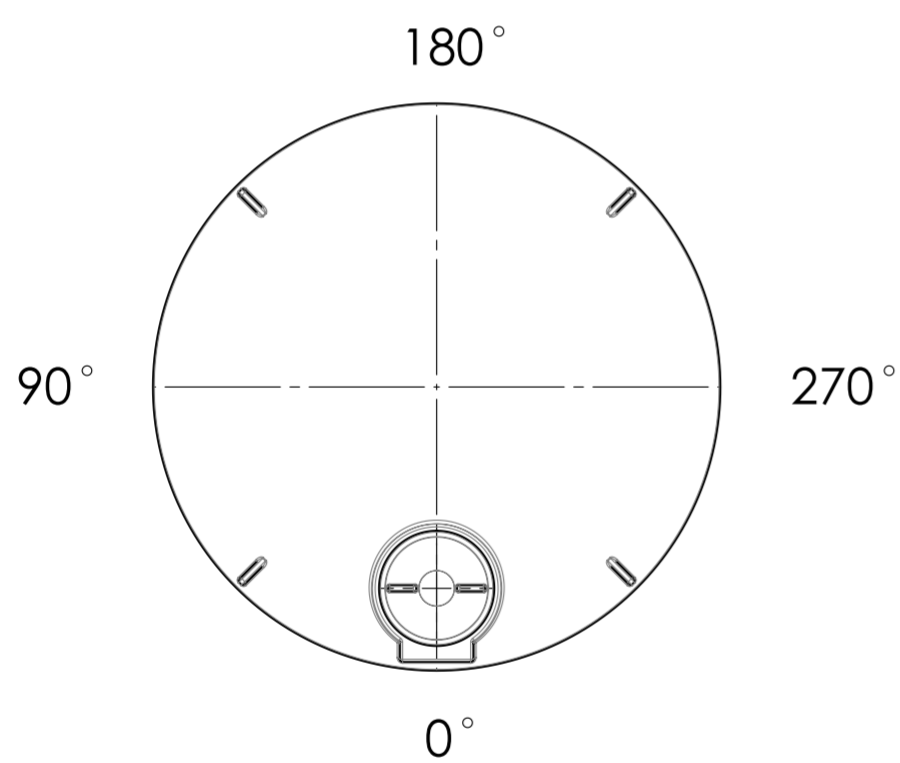
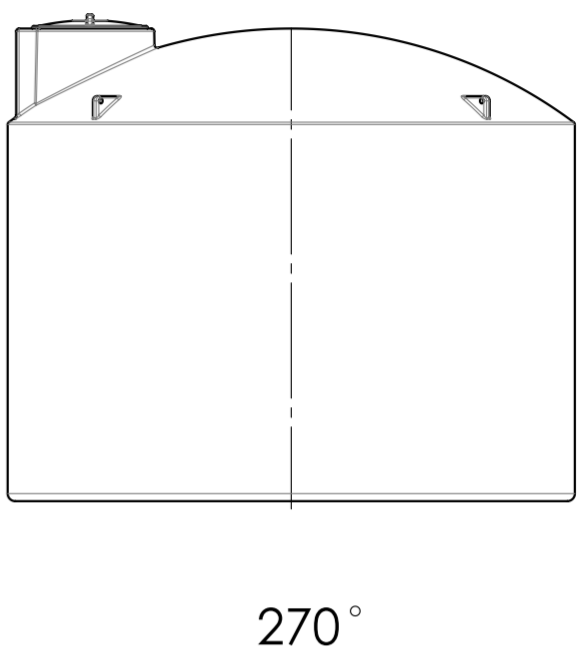
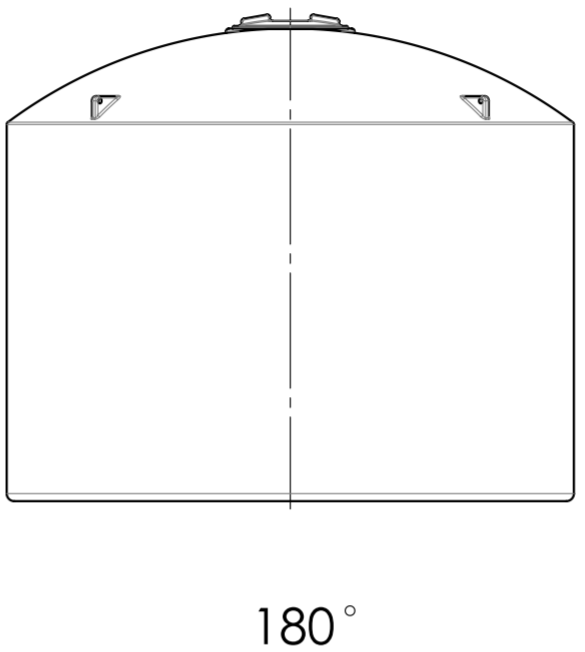
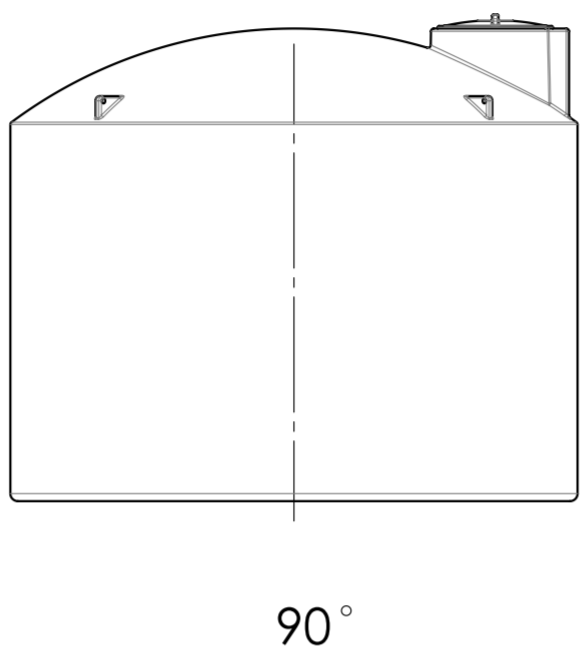
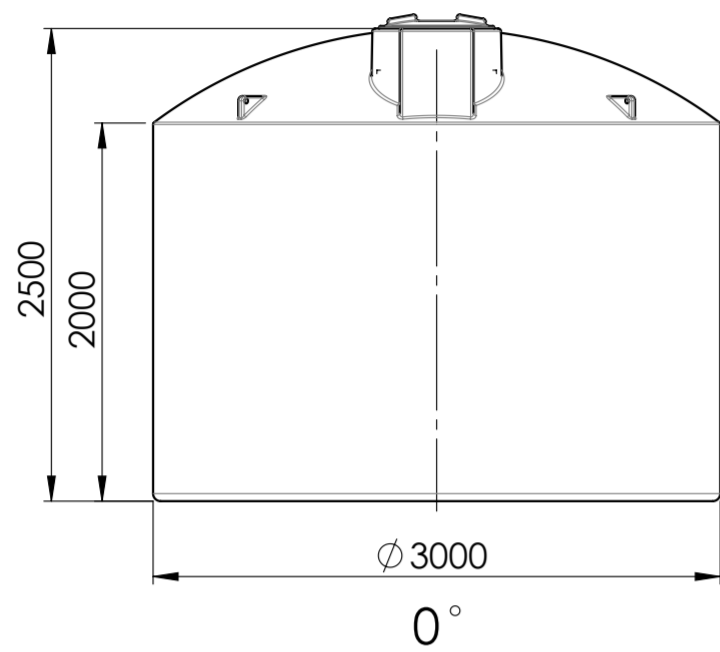


Job Customer:

Title:

Ref:



FITTINGS LAYOUT TABLE			
NOZZLE No	PE SIZE	ANGLE	DESCRIPTION
N1			
N2			
N3			
N4			
N5			
N6			
N7			
N8			

NOTES:  
1. LEVEL MARKS ARE IN m, DIMENSIONS ARE IN mm.

DATE	CLIENT APPROVAL SIGNATURE	UNLESS OTHERWISE SPECIFIED: DIMENSIONS ARE IN MILLIMETERS SURFACE FINISH: TOLERANCES: LINEAR: ANGULAR:	FINISH:		DEBURR AND BREAK SHARP EDGES	DO NOT SCALE DRAWING	REVISION
			NAME	SIGNATURE		DATE	
		DRAWN					
		CHK'D				TITLE: 15000L XPRESS TANK	
		APPV'D				NOZZLES LAYOUT	
		MFG				DWG NO.	A2
		Q.A.			MATERIAL:		
					WEIGHT:	SCALE: 1:40	SHEET 1 OF 1