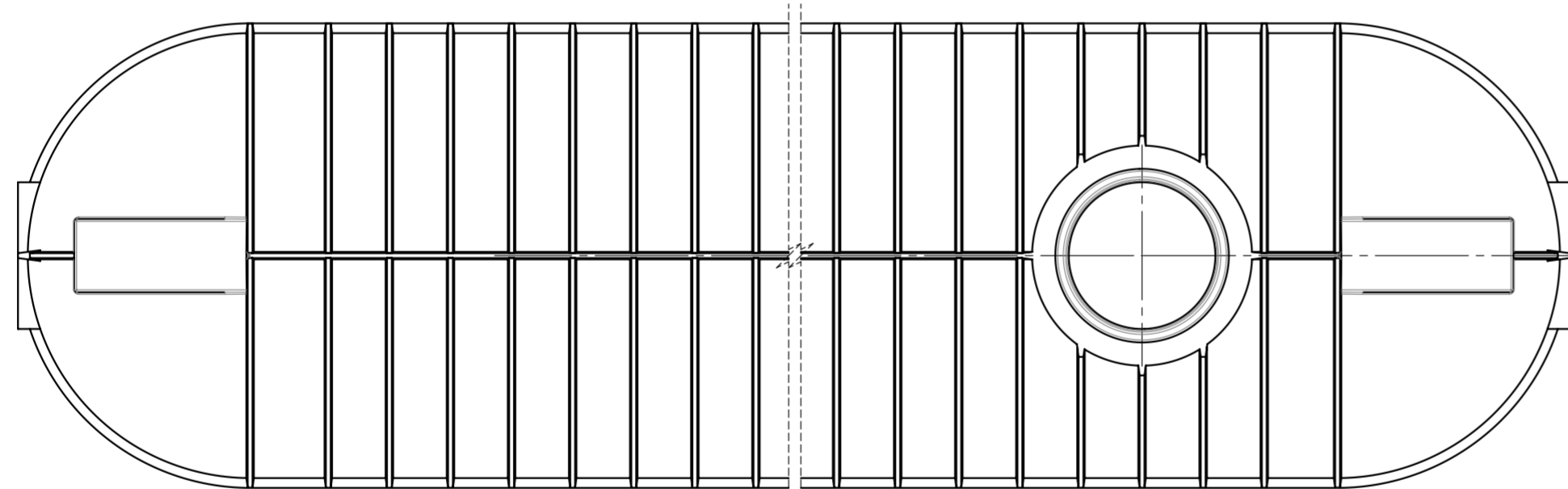
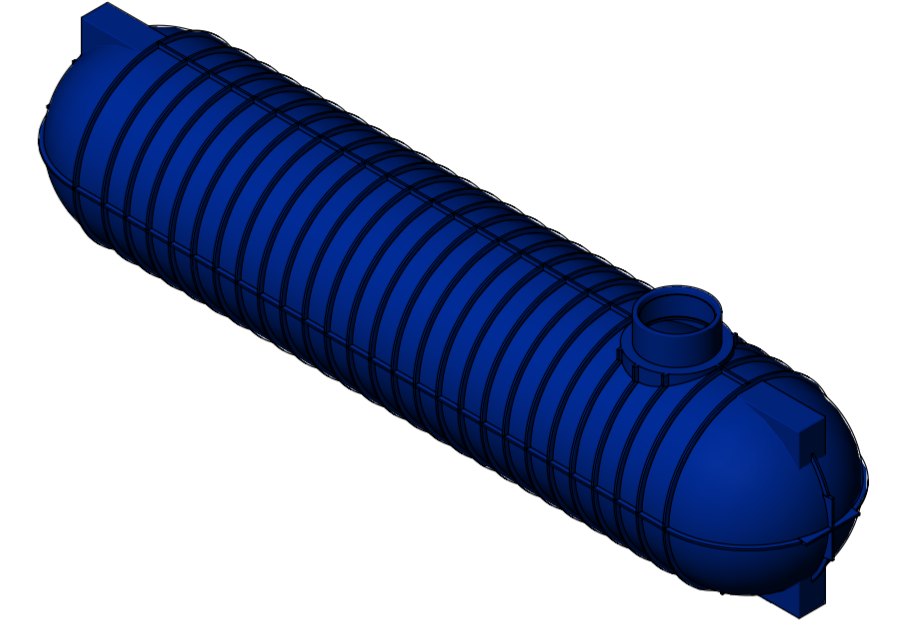
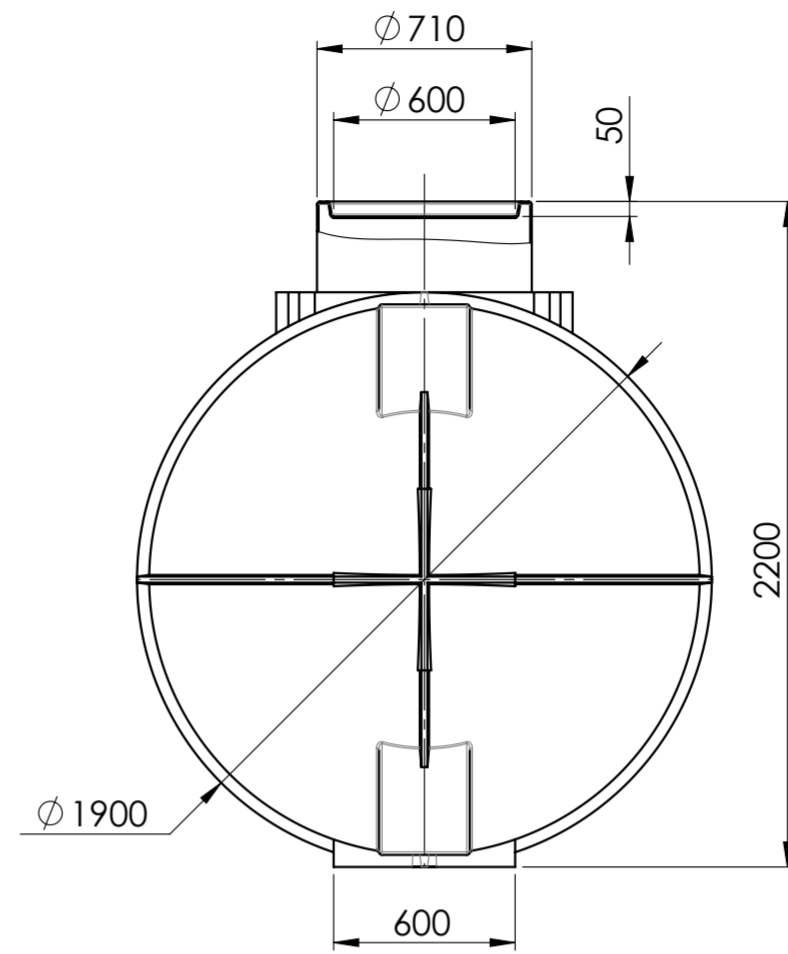
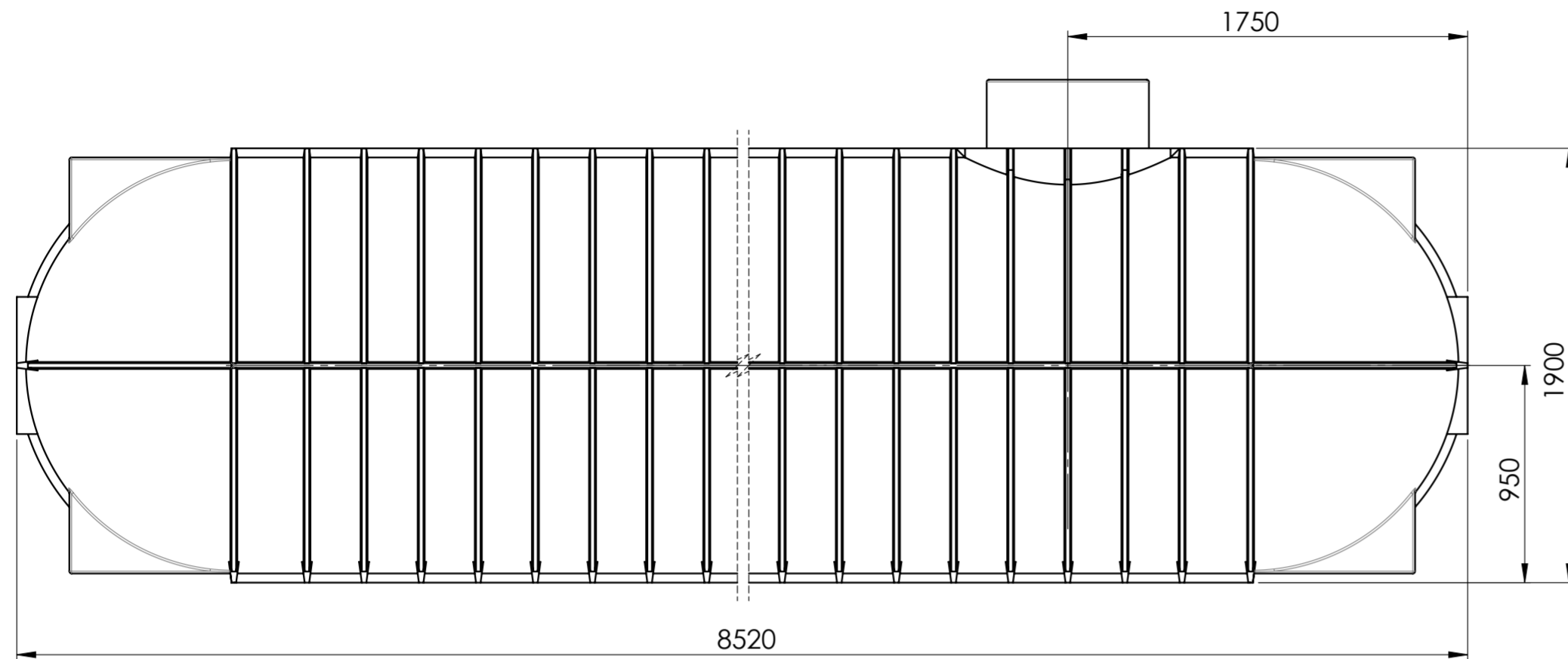


Job Customer:

Title:

Ref:



FITTINGS LAYOUT TABLE

NOZZLE No	PE SIZE	LEVEL MARK	ANGLE	DESCRIPTION
N1				
N2				
N3				
N4				
N5				
N6				
N7				
N8				

NOTES:
1. LEVEL MARKS ARE IN m, DIMENSIONS ARE IN mm.

DATE	CLIENT APPROVAL SIGNATURE	UNLESS OTHERWISE SPECIFIED: DIMENSIONS ARE IN MILLIMETERS SURFACE FINISH: TOLERANCES: LINEAR: ANGULAR:	FINISH:	DEBURR AND BREAK SHARP EDGES	DO NOT SCALE DRAWING	REVISION
		DRAWN	NAME	SIGNATURE	DATE	TITLE: 20000L UNDERGROUND TANK (PMXUT200001.9) NOZZLES LAYOUT
		CHK'D				
		APPV'D				
		MFG				
		Q.A				
				MATERIAL:	DWG NO.	A2
				WEIGHT:	SCALE:1:25	SHEET 1 OF 1