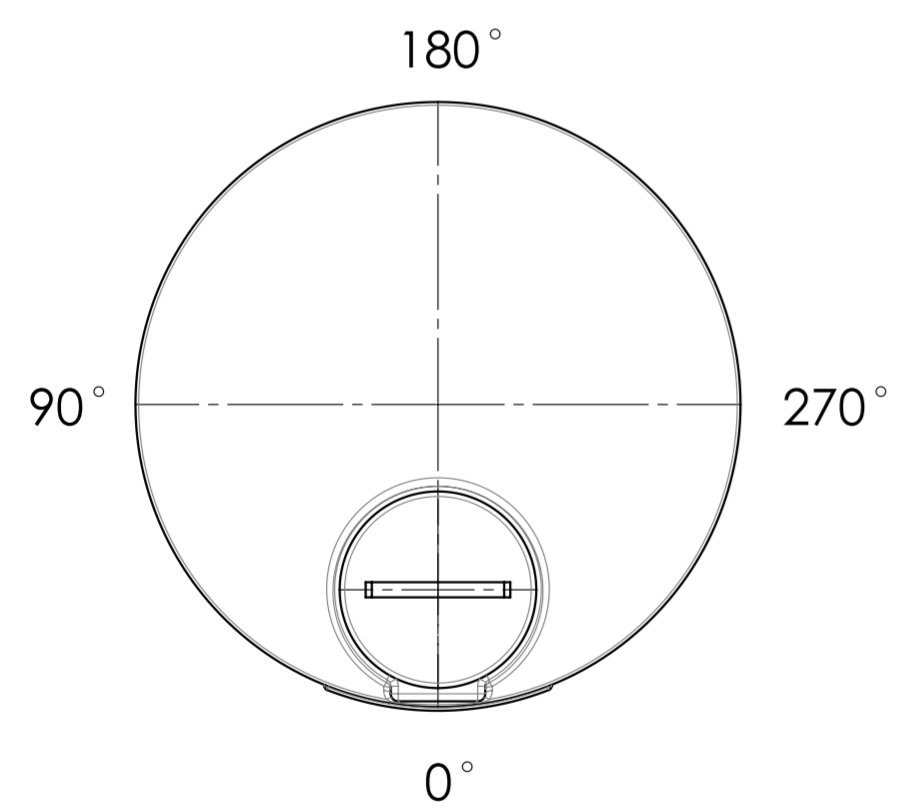
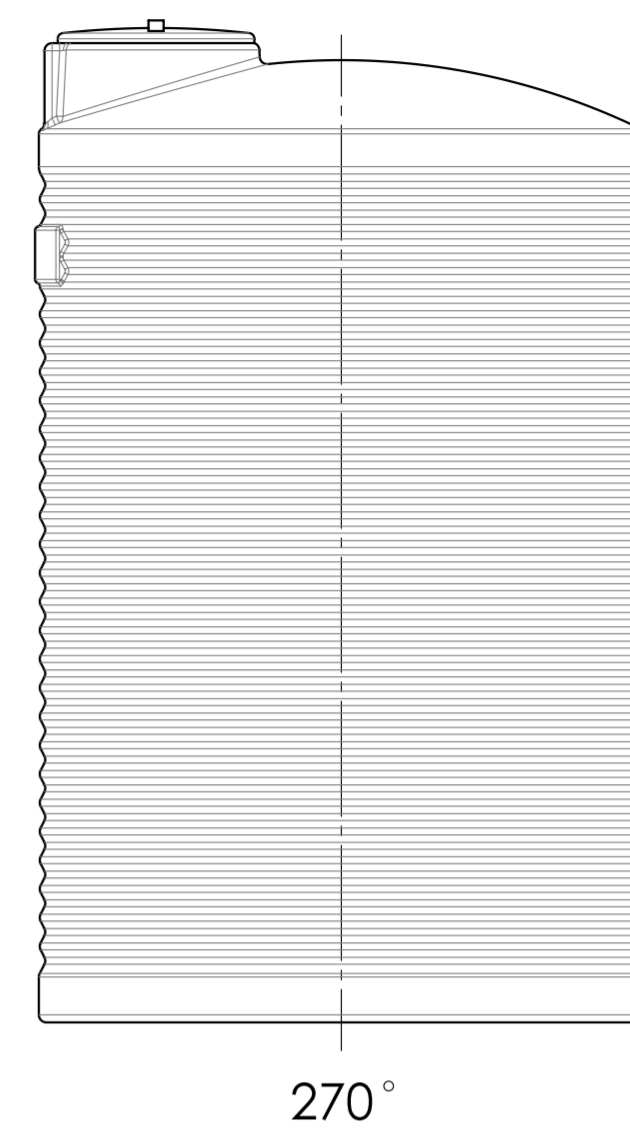
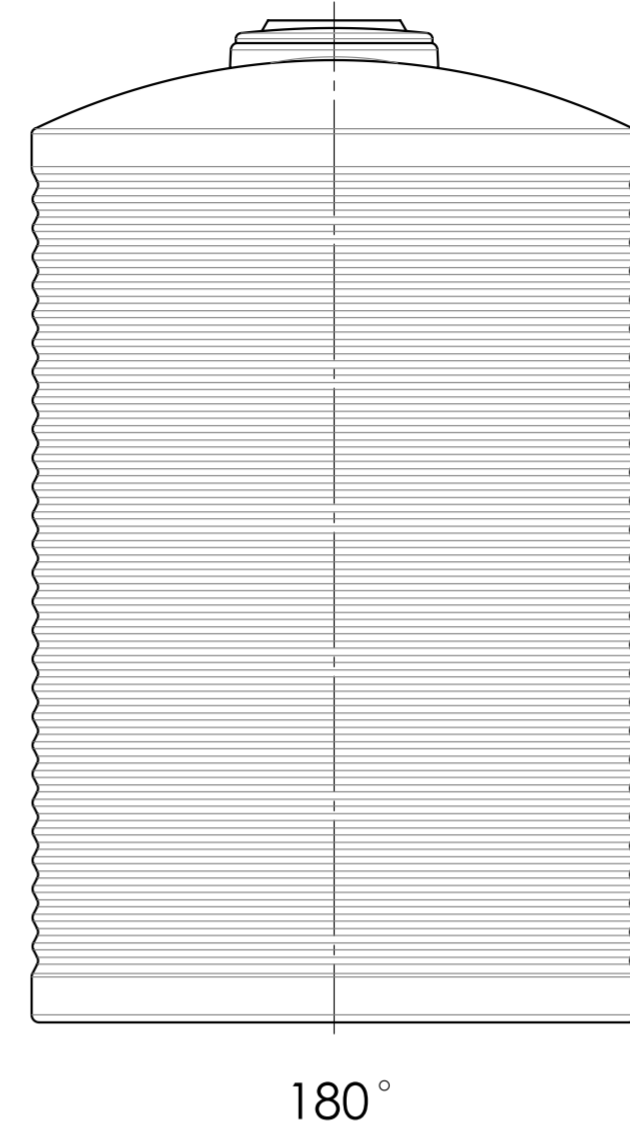
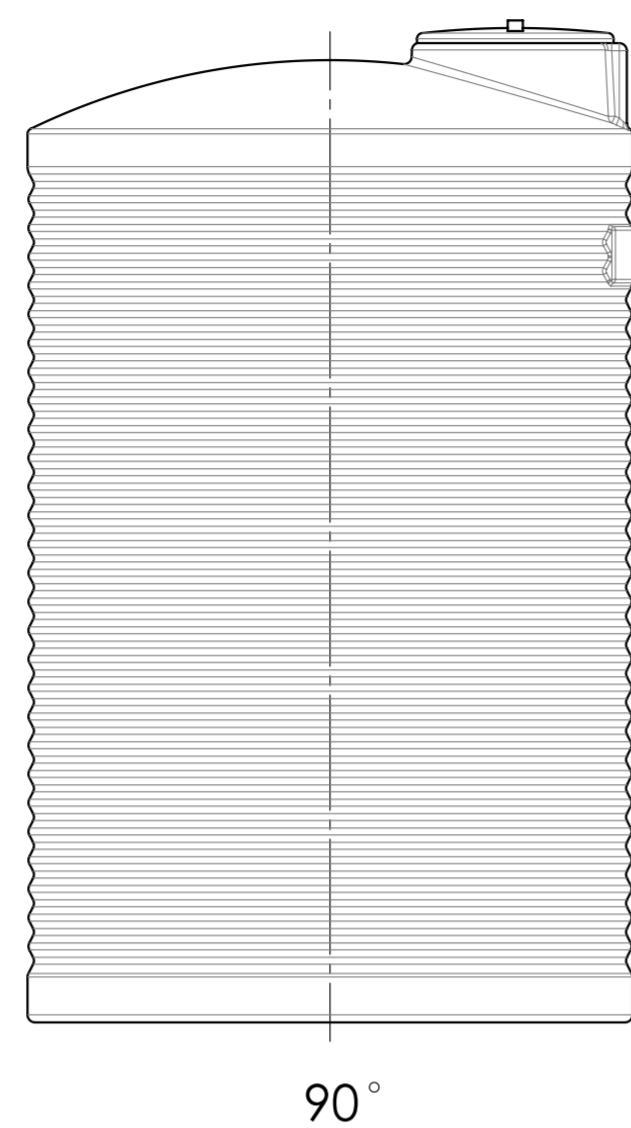
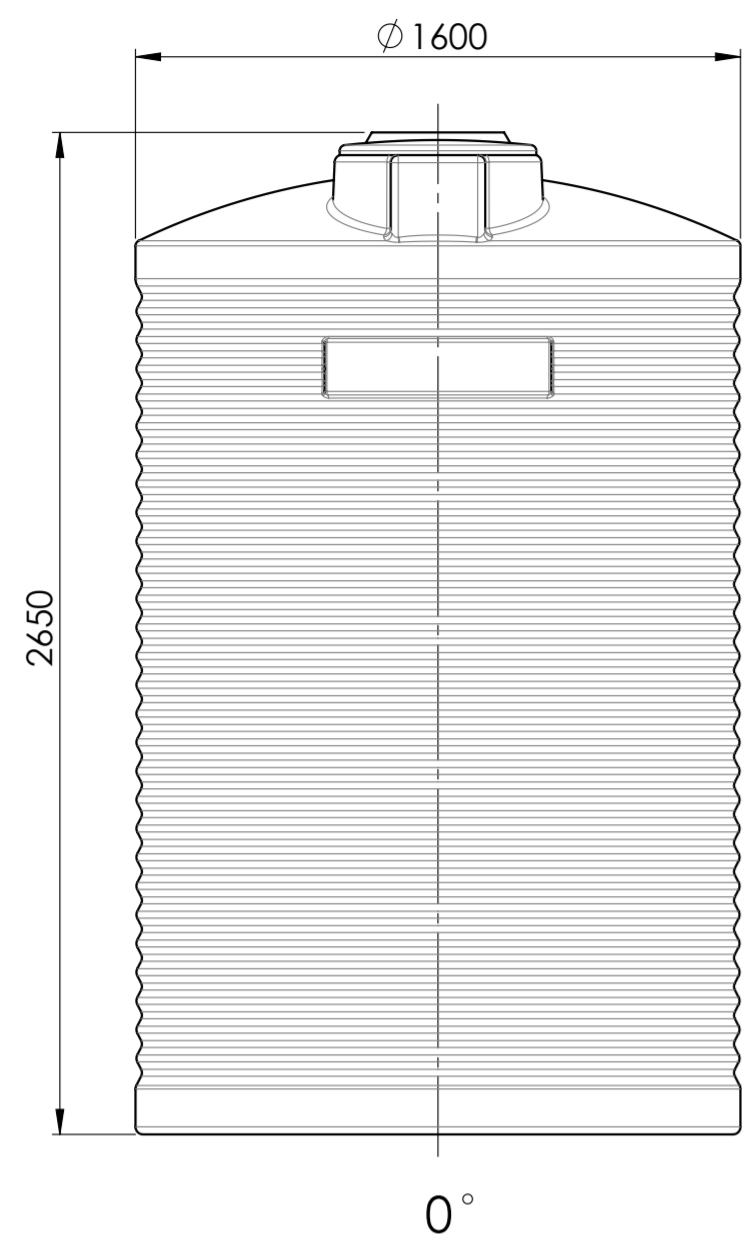


Job Customer:

Title:

Ref:



FITTINGS LAYOUT TABLE				
NOZZLE No	PE SIZE	LEVEL MARK	ANGLE	DESCRIPTION
N1				
N2				
N3				
N4				
N5				
N6				
N7				
N8				

NOTES:
1. LEVEL MARKS ARE IN m, DIMENSIONS ARE IN mm.

DATE	CLIENT APPROVAL SIGNATURE	UNLESS OTHERWISE SPECIFIED: DIMENSIONS ARE IN MILLIMETERS		FINISH:		DEBURR AND BREAK SHARP EDGES		DO NOT SCALE DRAWING		REVISION
		SURFACE FINISH:		TOLERANCES:		LINEAR:		ANGULAR:		
		NAME	SIGNATURE	DATE						
		DRAWN						TITLE: 5000L TANK (PMXST05000) NOZZLES LAYOUT		
		CHK'D						DWG NO.		A2
		APPV'D						SCALE: 1:20		SHEET 1 OF 1
		MFG						WEIGHT:		
		Q.A.								