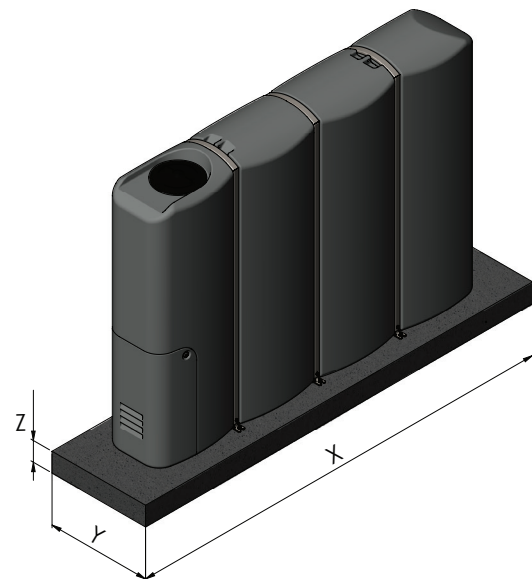


Slimline Installation to meet Seismic Specification (0.39 CDT)

1. Concrete Base

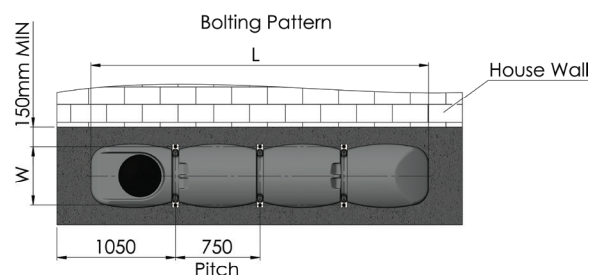
- Concrete must be 20 MPA or higher.
- Reinforced with HD12 bars @ 300mm Centres, 75mm cover.

Capacity	X	Y	Z
2000L	2250mm	870mm	150mm
3000L	3000mm	870mm	250mm
5000L	3000mm	1210mm	250mm



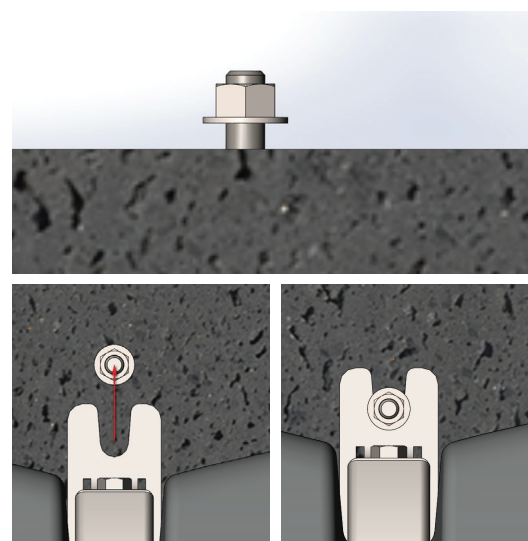
2. Marking

- Mark out the bolting pattern for the slimline tank onto the concrete pad.
- Allow minimum 150mm between tank and house wall or fence.
- 2000L: W = 520mm
- 3000L: W = 520mm
- 5000L: W = 860mm



3. Bolting

- Drill the 3 x 18mm holes in concrete for Spatec Bolts closest to house/fence.
- Insert 12mm Spatec bolts and thread on the nut allowing approx. 12mm between concrete and underside of nut.
- Position Tank on the concrete pad and push it sideways towards the house wall/fence until the Slimline feet are held captive by these nuts.
- Now drill remaining three bolt on outside of tank, insert and tighten nuts on the feet.



Promax, April 2021

