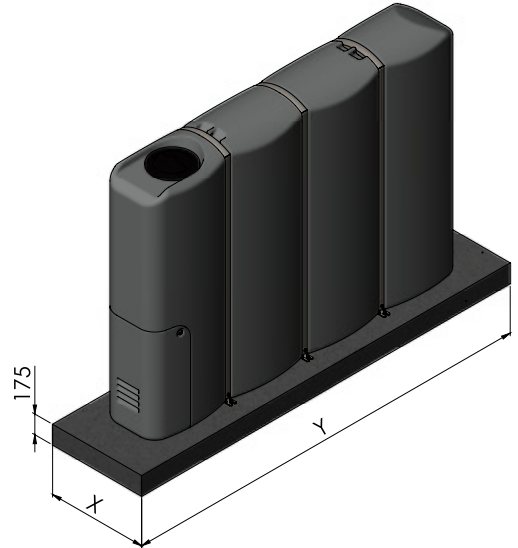




Slimline Installation to meet Seismic Specification (0.39 CDT)

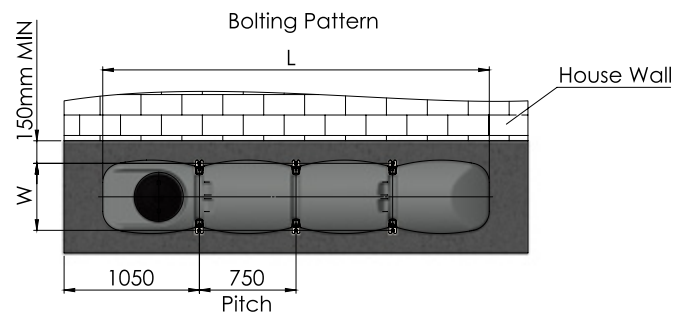
1. Concrete Base

- Must be minimum 300mm larger than tank base.
- Concrete must be 20 MPA or higher.
- Reinforced with HD12 bars @ 300mm Centres. 75mm cover.
- 2000L Tank Pad: 2850mm (Y) x 175mm D x 1500mm (X)
- 3000L Tank Pad: 3600mm (Y) x 175mm D x 1170mm (X)
- 5000L Tank Pad: 3600mm (Y) x 175mm D x 1500mm (X)



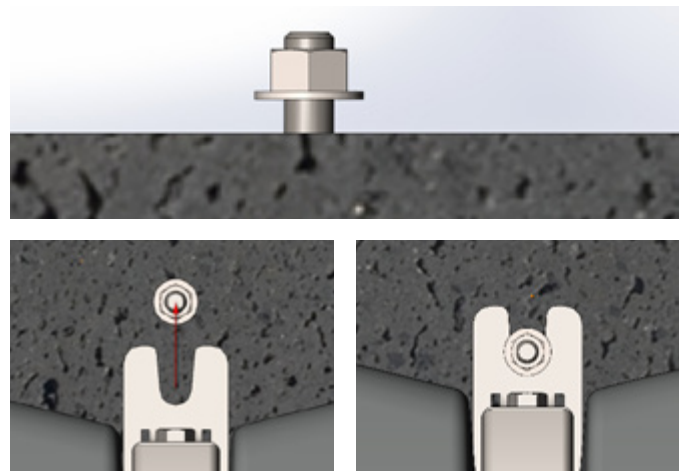
2. Marking

- Mark out the bolting pattern for the slimline tank onto the concrete pad.
- Allow minimum 150mm between tank and house wall or fence.
- 2000L: W = 520mm
- 3000L: W = 520mm
- 5000L: W = 860mm



3. Bolting

- Drill the 3 x 18mm holes in concrete for Spatec Bolts closest to house/fence.
- Insert 12mm Spatec bolts and thread on the nut allowing approx. 12mm between concrete and underside of nut.
- Position Tank on the concrete pad and push it sideways towards the Housewall/Fence until the Slimline feet are held captive by these nuts.
- Now drill remaining three bolt on outside of tank, insert and tighten nuts on the feet.



Promax.
March 2021

