

**Underground
tanks**

Underground, out of sight, out of mind, long lasting liquid storage tanks

Section	Contents	Page
2.1	Promax Underground Tanks	23
2.2	Rainwater Tanks	25
2.3	Stormwater/Wastewater Tanks	26
2.4	Specifications	27

**Ask for a
Promax**





Promax Underground Tanks

Save time, money and hassle with New Zealand's newest, largest and most popular underground tanks.

With the ever present demand for water in the densely populated areas in our homes, schools, councils and industry, Promax has made the collection of rainwater, stormwater and wastewater an easier task with our extensive range of Underground Tanks. Designed to be out of sight – out of mind, these tanks will provide you the ability to sustainably harvest, collect and reuse.

Distinctive Solutions for

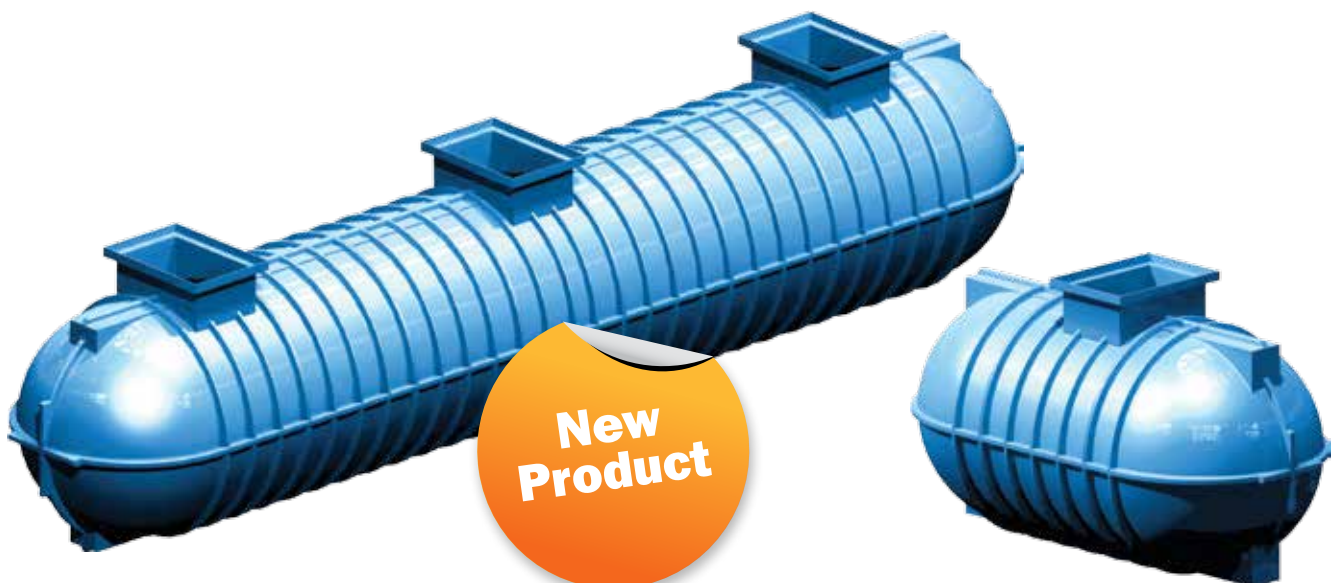
Rainwater, stormwater and wastewater storage in:

- Residential dwellings
- Retirement Villages
- Truck Stops
- Golf Courses
- Playing Fields
- Stadiums
- Shopping Centers
- Nursery Irrigation



TESTIMONIAL

“When I first called Promax Plastics I didn't even know exactly what an underground retention tank was, but they were so helpful we ended up putting in a second underground tank that stores our stormwater which we now use on our garden. They're great, they are all underground out of sight.”



2.1

Promax Underground Tanks



Peace of
mind
engineering

QUICK FACT

All Promax Underground Tanks are made from low density polyethylene that is certified for chemical storage and potable drinking water.

Promax provides you with un-matched flexibility and solutions when it comes to underground liquid storage; from working with planners right through to on-site delivery anywhere in New Zealand.

The Promax Underground Tank is a very simple tank to work with. Large manholes with tamper proof lids, multiple areas for inlet/outlet plumbing ports and allowance for easy linking to other tanks or systems, all combine to make the Promax Underground Tank your ideal choice.

These innovative and robust storage tanks are made with high specification polyethylene that has excellent inherent stiffness, rigidity, and are engineered to last underground, providing you with peace of mind.

- 2,000 litre to 35,000 litre capacities (Other sizes on request)
- Suitable to be installed under driveways, footpaths, car parks, forecourts and much more
- Multiple inlet/outlet plumbing ports
- Optional extras include Welded PE spigots, PVC connectors and BSP Threaded Fittings
- Sizes/capacities to suit customer specific plans or site requirements

UNDERGROUND TANK SHAPES AND SIZES: Turn to page 27

2.2

Rainwater Tanks

With the smallest foot print in the industry Promax Underground Rainwater Tanks give you the maximum capacity for the minimum square meterage of area required.

All Promax tanks are made from tough durable polyethylene complying with International Food Grade Standards, meaning that you are provided with clean, untainted rainwater and reduced water bills.

Distinctive Benefits

- Large range from 2,000 to 35,000L (larger on request)
- Excellent space saving solutions under sports fields
- Designed to withstand ground and water pressure
- Easy access shafts for inspection and maintenance
- Save time and money with multiple inlet/outlet plumbing ports
- Optional Tamper Proof Domes available
- Complies with the base resin AS/NZS 4766 Standards
- Nationwide delivery to properties available

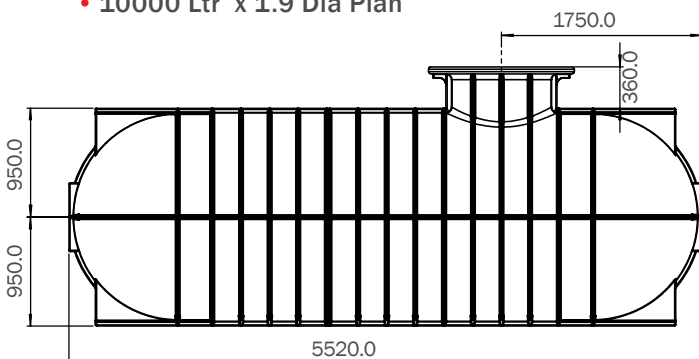


QUICK FACT

Underground Retention/Detention tanks are often mandatory for new building and construction projects. With Promax you can choose the right tank from our range of solutions to store water and save space.



• 10000 Ltr x 1.9 Dia Plan



2.3

Stormwater/Wastewater Tanks

The Promax Stormwater/Wastewater Tanks are suitable for the retention or detention of stormwater or the storage of wastewater. The tanks are fully tested and designed to withstand ground and water pressure at depth. The Promax Tank is engineered by geotechnical experts including Finite Element Analysis testing (FEA).

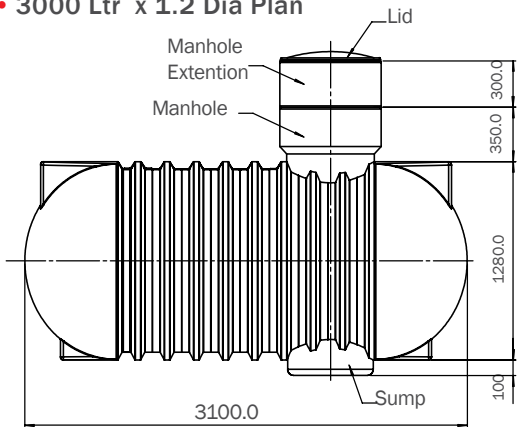


Distinctive Benefits for

- Stormwater retention
- Stormwater detention
- Wastewater storage
- Large range from 2,000 to 35,000L (Larger on request)
- Suitable to be installed under driveways, footpaths, car parks, forecourts and much more
- Save time and money with multiple inlet/outlet plumbing ports
- Optional Extras include Welded PE spigots, PVC connectors and BSP Threaded Fittings
- Vehicular Traffic - Tested to AS/NZS 2566: 1 -1998 with a load rating of 28kpa. Performance of the tank is dependent on the surrounding native soil, embedment and depth of buried tank

Suitable for
commercial and
residential use

• 3000 Ltr x 1.2 Dia Plan



QUICK FACT

All Promax underground storage tanks can be joined together in series to meet site specific volumes or area requirements.

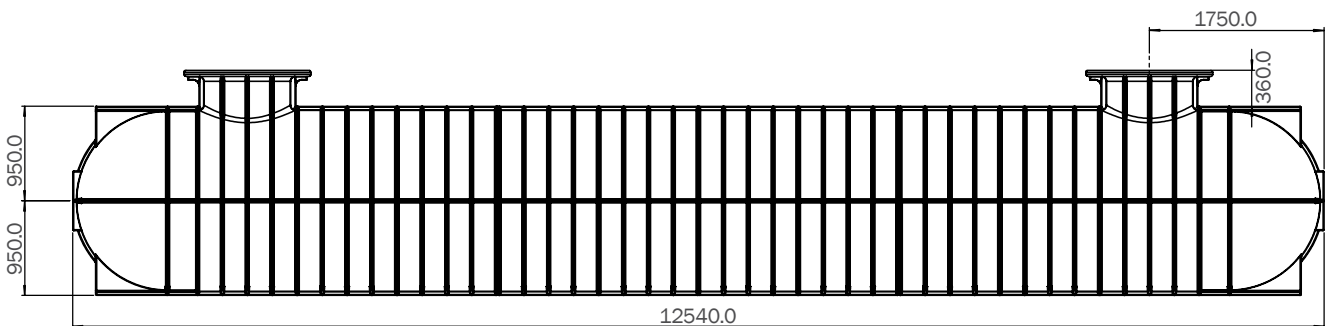
2.4

Underground Liquid Storage Tank Specifications

Rainwater, Stormwater/Wastewater Tanks

Code	Volume Litres/Gallons	Dia (mm)	L (mm)	Manhole (mm)
PMXUT02000	2000 litre Underground Tank	1280	1950	600dia
PMXUT03000	3000 litre Underground Tank	1280	3100	600dia
PMXUT04000	4000 litre Underground Tank	1280	4000	600dia
PMXUT05000	5000 litre Underground Tank	1280	5000	600dia
PMXUT06000	6000 litre Underground Tank	1280	6000	600dia
PMXUT10000	10,000 litre Underground Tank	1900	5500	1270dia
PMXUT15000	15,000 litre Underground Tank	1900	7500	1270dia
PMXUT20000	20,000 litre Underground Tank	1900	9500	1270dia
PMXUT25000	25,000 litre Underground Tank	1900	11500	1270dia
PMXUT30000	30,000 litre Underground Tank	1900	13500	1270dia

- 30000 Ltr x 1.9 Dia Plan



Technical Specification Drawings available on request.
Installation Guides are available on request.

Material complies with the following standards:

AS/NZS 4020: 2002 Potable (Drinking) Water Standard
AS/NZS 2070: Part 1 and Part 8 Australian Standards for Food Contact
AS/NZS 4766 (INT): 2002 Polyethylene Storage Tanks for Water and Chemicals



Code	Description	Size (mm) dia
PMXAC00600TP	Underground Tank Tamper Proof Dome Lid	600 dia